

# Protect-It™ XL Rack Guard

## Economical solution for improving warehouse safety

Protect-It™ XL Rack Guards are large format upright protectors that improve warehouse safety and reduce rack damage caused by forklift trucks, and other vehicles.

Protect-It™ XL Guards are cost effective, quick to install and easy to replace making them a highly economical rack protection solution for your business.





Easy Installation



Robust Protection



Economical

### Features

- Low purchase and installation costs.
- Securely grips the column with no separate fasteners.
- Can be stacked and configured to suit your site
- Effective in cold stores as low as -40 degrees
- Easy to remove for rack inspections
- Fit most racking brands

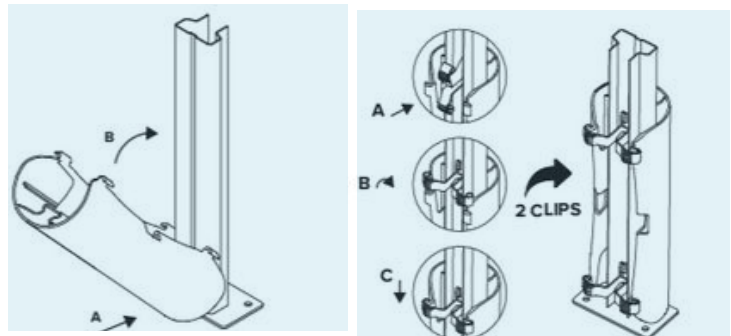
### Safety

Independently tested for front and side impact. Passes impact tests from Australian Standard AS4084 and European Code FEM 10.2.02



### Easy Installation

Protect-it™ XL Rack Guard is easy to install with no drilling.



### Specifications

<b>HEIGHT OF UNIT</b>	500mm
<b>WIDTH</b>	Fits uprights with widths up to 90mm
<b>MATERIAL</b>	Ultra high impact high polyethylene
<b>COLOUR</b>	Yellow
<b>TEMPERATURE</b>	Up to -40 degrees

SCAN to view install guide

